



WESEM



headlamps

245 x 110

REPR2

*H4
in the housing with direction indicator*

IP55 rated

four-function

FF (free-form) optics

Construction and parameters

Construction

- replacement headlamp made of plastic
- glass lens
- black plastic housing
- direction indicator (option)
- waterproof parking light bulb holder (option)
- wiring harness terminated with Deutsch DT 6-pin cap connector (option)
- wiring harness, rubber grommet incl. (option)
- bulbs (option)
- additional mounting bracket and screws made of Inox steel (option)

Additional features

The optics designed in free form technology gives the lamp a contemporary look and improved light beam over its predecessor (the REPR1 lamp).

Bulbs

Fit bulbs type:
H4 12V 60/55W or H4 24V 75/70W
W5W 12V or 24V (W2.1x9.5d cap)
- for parking lights
P21W 12V or 24V (BA15s cap)
- for direction indicators

Replacement parts

Front-side direction indicator + bulb
- catalogue No. LK1.24000.

Useful parts while installing

Plug Deutsch DT
- catalogue No. A.07131.

Recommendation

REPR2 products are a replacement for REPR1 lights.

Parameters

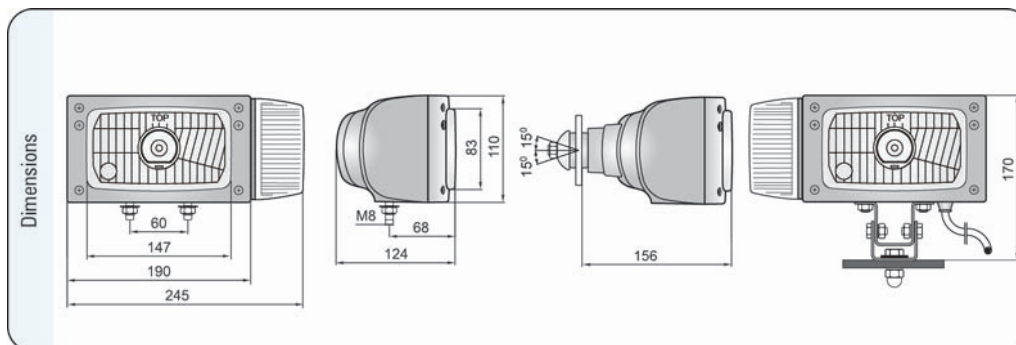
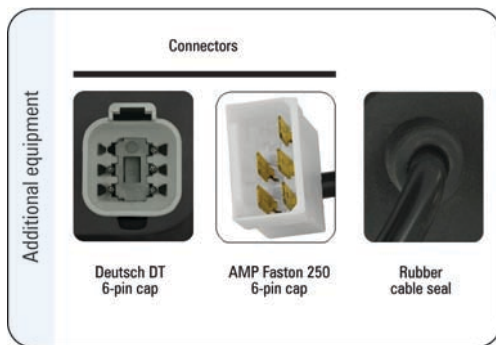
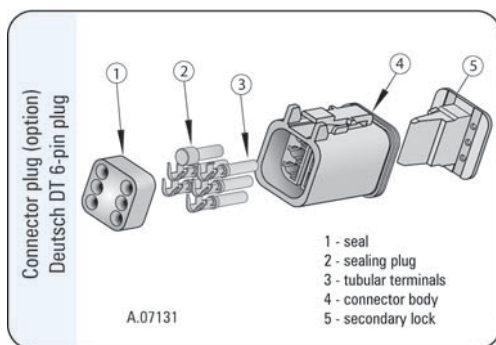
IP55 rated.
The driving light reference mark, which specifies the light's maximum luminous intensity is 12.5 (it is about 60 lx within distance of 25 m).

Applications:

- heavy machinery
- excavator-loaders
- forklifts
- agricultural harvesters
- snow-ploughs
- special vehicles: Merlo, JCB, Genie Terex, Manitou, Ausa, Eurocomach

Cat. number	Cobo Catal. No.	Homologation code	Light function				Accessories										Mounting		Application		Side			Packaging / pc carton box
			passing light	driving light	parking light	direction indicator	bulb H4 12V	bulb H4 24V	bulb W5W	bulb P21W	housing	omega bracket	able 0,25 m	able 3 m	AMP Faston connector	Deutsch DT connector	bottom	rear	universal	dedicated	right	left		
REPR2.42731		049	*	*	*	*	*	*	*	*	*	*	*	*	*	*	*	*	*	*	*	*	*	1
REPR2.42730		049	*	*	*	*	*	*	*	*	*	*	*	*	*	*	*	*	*	*	*	*	*	1
REPR2.42733		049	*	*	*	*	*	*	*	*	*	*	*	*	*	*	*	*	*	*	*	*	*	1
REPR2.42732		049	*	*	*	*	*	*	*	*	*	*	*	*	*	*	*	*	*	*	*	*	*	1
REPR2.42721	05.580.000	049	*	*	*	*	*	*	*	*	*	*	*	*	*	*	*	*	*	*	*	*	*	1
REPR2.42720	05.584.000	049	*	*	*	*	*	*	*	*	*	*	*	*	*	*	*	*	*	*	*	*	*	1
REPR2.42723	05.580.000	049	*	*	*	*	*	*	*	*	*	*	*	*	*	*	*	*	*	*	*	*	*	1
REPR2.42722	05.584.000	049	*	*	*	*	*	*	*	*	*	*	*	*	*	*	*	*	*	*	*	*	*	1
REPR2.42741		049	*	*	*	*	*	*	*	*	*	*	*	*	*	*	*	*	*	*	*	*	*	1
REPR2.42740		049	*	*	*	*	*	*	*	*	*	*	*	*	*	*	*	*	*	*	*	*	*	1
REPR2.42743		049	*	*	*	*	*	*	*	*	*	*	*	*	*	*	*	*	*	*	*	*	*	1
REPR2.42742		049	*	*	*	*	*	*	*	*	*	*	*	*	*	*	*	*	*	*	*	*	*	1
REPR2.42751		049	*	*	*	*	*	*	*	*	*	*	*	*	*	*	*	*	*	*	*	*	*	1
REPR2.42750		049	*	*	*	*	*	*	*	*	*	*	*	*	*	*	*	*	*	*	*	*	*	1
REPR2.42753		049	*	*	*	*	*	*	*	*	*	*	*	*	*	*	*	*	*	*	*	*	*	1
REPR2.42752		049	*	*	*	*	*	*	*	*	*	*	*	*	*	*	*	*	*	*	*	*	*	1

Homologation code means identifier of certification number.



- headlamps
- additional lamps
- work lamps
- special lamps
- signalling lamps
- bicycle lamps
- accessories
- transportation