



**WESEM**



*headlamps*

$\phi$  161

**PES2**

*designed for vehicles* **Ursus, Zetor, Melex**

*metal housing*

*FF (free-form) optics*

## Construction and parameters

### Application

Particularly recommended for tractors and slow-moving vehicles.

### General information

PES2 series headlamps meet the approval requirements independently whether are equipped with R2 or H4 type bulb.

### Construction

- replacement headlamp made of plastic
- glass lens
- black housing made of plastic or metal
- headlight bulb gasket (option)
- waterproof parking light bulb holder (option)

### Bulbs

Fit bulbs type:

H4 12V 60/55W or H4 24V 75/70W  
R2 12V 45/40W or R2 24V 55/50W  
W5W 12V or 24V (W2.1x9.5d cap)

### Useful parts while installing

- Main bulb gasket - catalogue No. A.05820.
- Main bulb mounting block - catalogue No. A.07128.
- Hermetic, parking bulb holder - catalogue No. A.26910.

### Recommendation

Headlamp should be attached to the vehicle body using a galvanized steel sleeve of 18 mm diameter (included with a lamp).

### Parameters

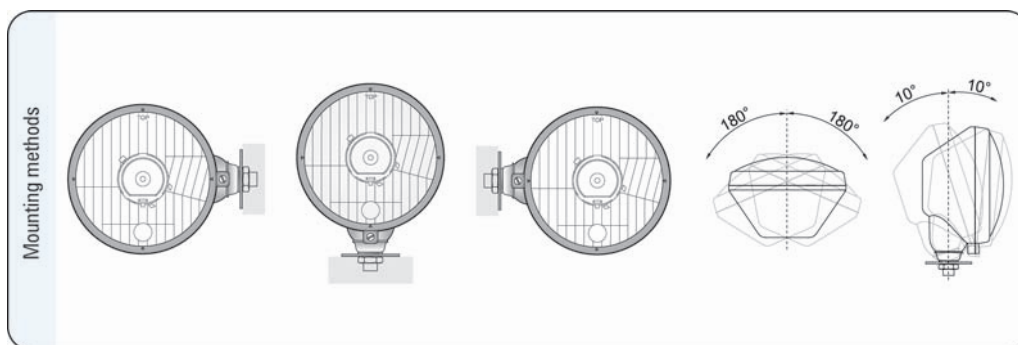
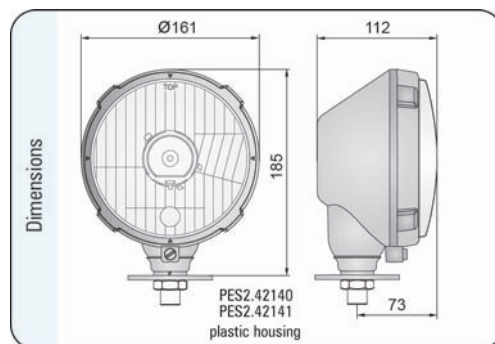
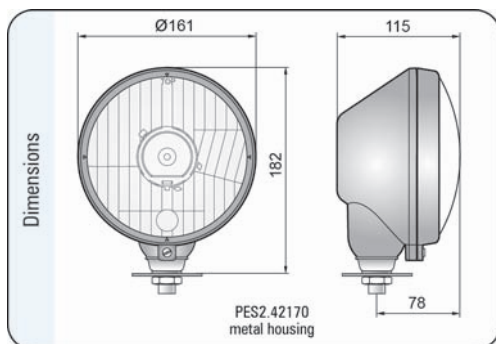
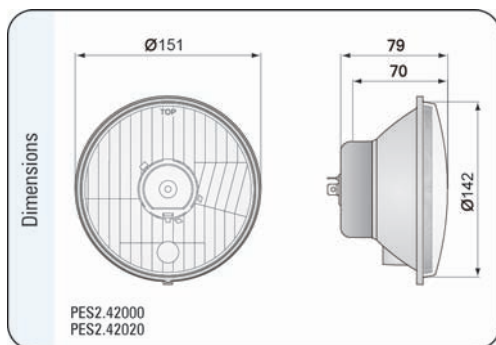
The driving light reference mark of headlights equipped with R2 bulb, which specifies the light's maximum luminous intensity is 10 (it is about 50 lx within distance of 25 m).  
The driving light reference mark of headlights equipped with H4 bulb, which specifies the light's maximum luminous intensity is 12.5 (it is about 60 lx within distance of 25 m).

### Dedicated application

- A- Tractors:
  - Ursus: C-300, C-4000
  - Zetor: 2011, 3011, 3511, 4011, 6711
  - Pronar Zubron 2032A
- A- electric vehicle Melex 252

Cat. number	Homologation code	Light function				Type	Accessories	Additional options	Application	Mounting method	Packaging/ pc	carton box
		passing light	driving light	parking light								
PES2.42121	050	*	*	*	H4				universal		1	
PES2.42120	050	*	*	*	R2				dedicated		1	
PES2.42101	050	*	*	*	H4				universal		1	
PES2.42100	050	*	*	*	R2				dedicated		1	
PES2.42141	050	*	*	*	H4				universal		1	
PES2.42140	050	*	*	*	R2				dedicated		1	
PES2.42160	050	*	*	*	H4				universal		1	
PES2.42150	050	*	*	*	R2				dedicated		1	
PES2.42170	050	*	*	*	H4				universal		1	
PES2.42000	050	*	*	*	R2				dedicated		1	
PES2.42020	050	*	*	*	H4				universal		1	

Homologation code means identifier of certification number.



- headlamps
- additional lamps
- work lamps
- special lamps
- signalling lamps
- bicycle lamps
- accessories
- transportation